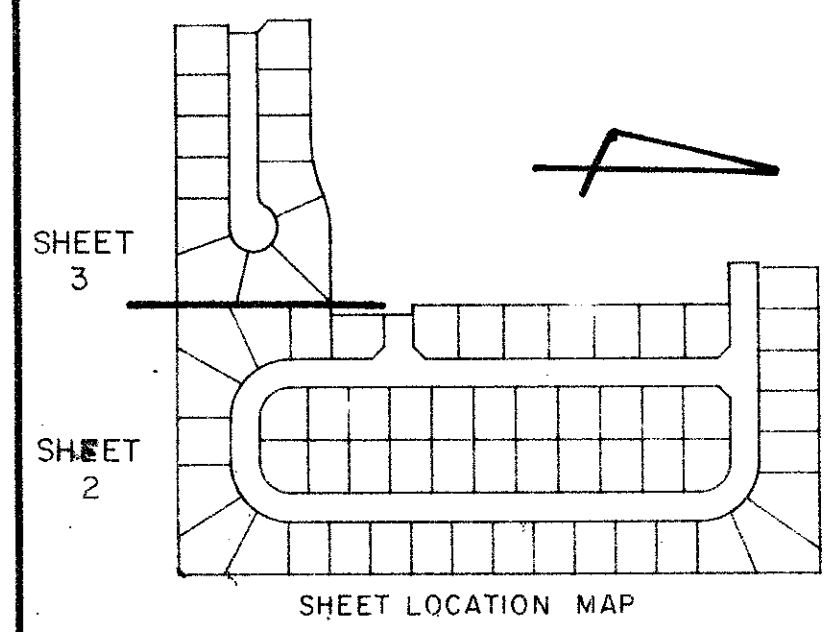


PLAN HOLD CORPORATION • IRVINE, CALIFORNIA  
 REORDER BY NUMBER 0724R



# BOCA RIO HEIGHTS, PLAT NO. 3

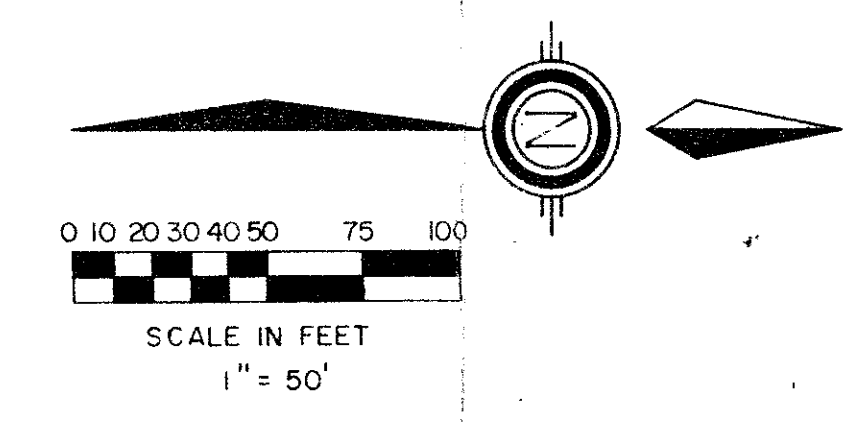
BEING A REPLAT OF A PORTION OF BLOCK 80,  
 PALM BEACH FARMS COMPANY PLAT NO. 3 (P.B. 2, PGS. 45 - 54)  
 SITUATE IN SECTION 29, TOWNSHIP 47 SOUTH, RANGE 42 EAST  
 PALM BEACH COUNTY, FLORIDA

NOVEMBER, 1986.

SHEET 3 OF 3.

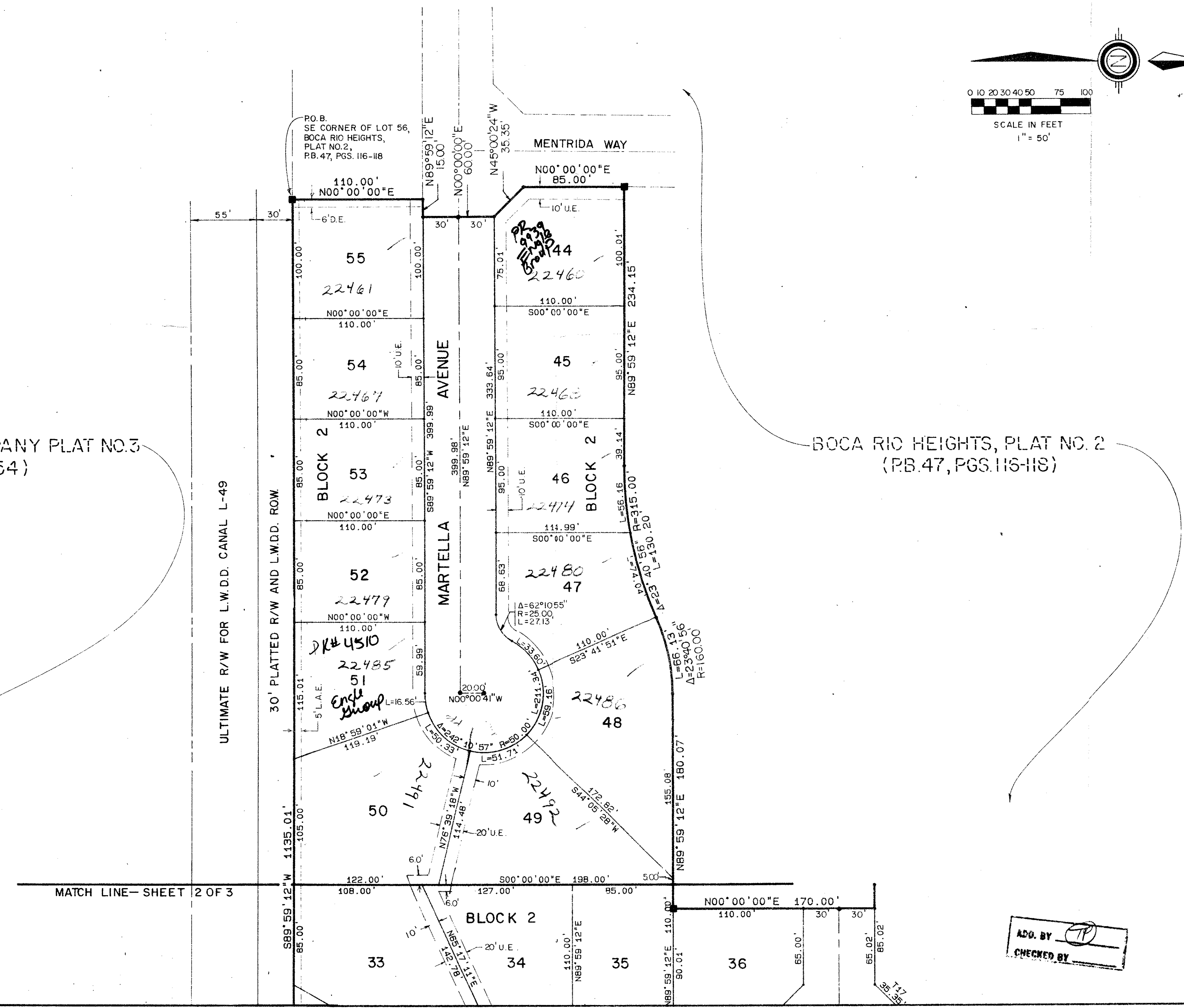
**66**

STATE OF FLORIDA  
 COUNTY OF PALM BEACH  
 THIS PLAT WAS FILED FOR  
 RECORD \_\_\_\_\_ DAY OF \_\_\_\_\_  
 AD, 1986 AND DULY RECORDED  
 IN PLAT BOOK \_\_\_\_\_ ON PAGES  
 \_\_\_\_\_ AND \_\_\_\_\_  
 JOHN B. DUNKLE, CLERK  
 BY: \_\_\_\_\_, D.C.



BLOCK 80  
 PALM BEACH FARMS COMPANY PLAT NO. 3  
 (P.B. 2, PGS. 45-54)

BOCA RIO HEIGHTS, PLAT NO. 2  
 (P.B. 47, PGS. 116-118)



0350-002  
 56/late

ADD. BY [initials]  
 CHECKED BY [initials]

Meridian Surveying and mapping inc. WEST PALM BEACH, FL

DRAWN	JF / MEH	DATE	6/25/86
CHECKED	WBH	SCALE	1" = 50'
DRAWING NO.	85-039-3		

**BOCA RIO HEIGHTS, PLAT NO. 3**